

AquaStar 2700ES

Protecting the Environment While Supplying 2-3 Major Applications Simultaneously.



The Bosch AquaStar 2700ES gas tankless water heater is innovation at its best. With its space-saving design, the 2700ES creates countless installation possibilities without sacrificing power or efficiency. Imagine being able to use your shower, washing machine and dishwasher simultaneously - without running out of hot water! And with an average life expectancy of 20 years - you can enjoy endless hot water for years to come. Add the potential to save up to 50% off utility costs, and the 2700ES is the perfect eco-friendly solution for your home.



BOSCH
Invented for life

AquaStar 2700ES

Tankless Water Heater with Electronic Ignition

Protecting the environment while supplying 2-3 major applications simultaneously

Features

- ▶ Delivers over 7 gallons per minute, enough to run 2-3 major applications at once
- ▶ Direct vent room-sealed combustion
- ▶ Built-in power vent allows for vertical or horizontal vent termination
- ▶ 12-year warranty on heat exchanger – 2 years on parts
- ▶ Provides endless supply of hot water
- ▶ Saves up to 50% off utility costs
- ▶ Electronic ignition – 120V plug-in (no standing pilot)
- ▶ Space saving size and weighs only 67 pounds
- ▶ Available models for natural gas (NG) or liquid propane (LP)
- ▶ Outdoor installation kit (AQOK) available for approved climates
- ▶ Wireless Remote (TSTAT2) available for quick and easy temperature control

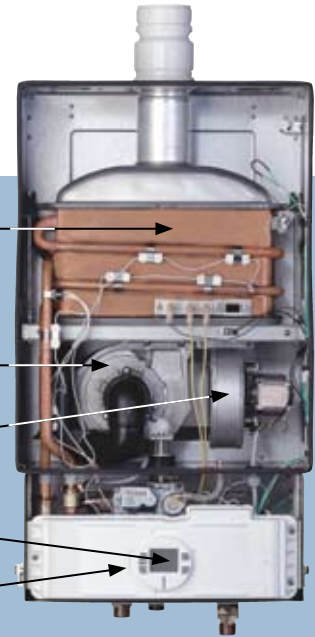
Solid Copper Heat Exchanger

Primary Fan (Mixer)

Secondary Air Fan

LCD Display

Control Unit



Technical Specifications

Power Input	Natural Gas: 19,900 - 199,000 BTU/Hr LP Gas: 19,900 - 199,000 BTU/Hr
Minimum Flow to Activate	0.65 gallons per minute (gpm)
Flow Rates	45°F rise @ 7.2 gpm 55°F rise @ 5.9 gpm 65°F rise @ 5.0 gpm 77°F rise @ 4.2 gpm 90°F rise @ 3.6 gpm
Energy Factor	.82
Thermal Efficiency	82%
Dimensions	H: 30.5" W: 17.875" D: 11.25"
Weight	67 lbs.
Modulating Gas Valve	Yes
Ignition	Electronic (120V plugs in)
Optional Accessories	Remote Thermostat (TSTAT2) Outdoor Kit (AQOK)

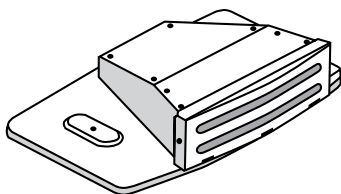
Installation Specifications

Gas Connection	3/4" Male NPT
Water Connections	3/4" Male NPT
Natural Gas Pressure	Minimum: 4" WC Maximum: 14" WC
Liquid Propane Pressure	Minimum: 9" WC Maximum: 14" WC
Water Pressure	Minimum: 30 PSI Maximum: 150 PSI
Electrical Supply	120V (plugs in)
Exhaust Vent Size	3" (stainless)
Combustion Air Pipe Size	3" PVC/Alum./Galv.
Vent Termination	Horizontal or Vertical

Wireless Remote available for setting or changing water temperature. (Part # TSTAT2)

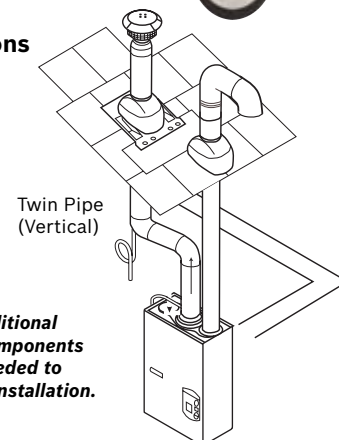
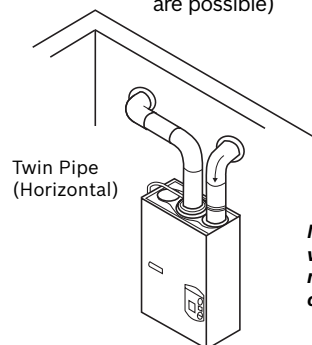


For Outdoor Installation the Outdoor Kit is required (Part # AQOK)



Room-Sealed Indoor Venting Options

(additional venting options are possible)



NOTE: Additional venting components may be needed to complete installation.

Bosch Thermotechnology Corp.
340 Mad River Park
Waitsfield, VT 05673

Telephone: 1-866-642-3199
www.boschhotwater.com