

AquaStar 2400ES

Tankless Water Heater with Electronic Ignition
Capable of Supplying Two Showers Simultaneously



The Bosch AquaStar Model 2400ES has quickly become the tankless water heater of choice for families needing to operate two major hot water applications at a time. With an average life expectancy of more than 20 years, energy savings of up to 50%, and an endless supply of hot water, your family will thank you for years to come. Easy to install with multiple venting options, the Bosch AquaStar Model 2400ES is the right choice.



BOSCH
Invented for life

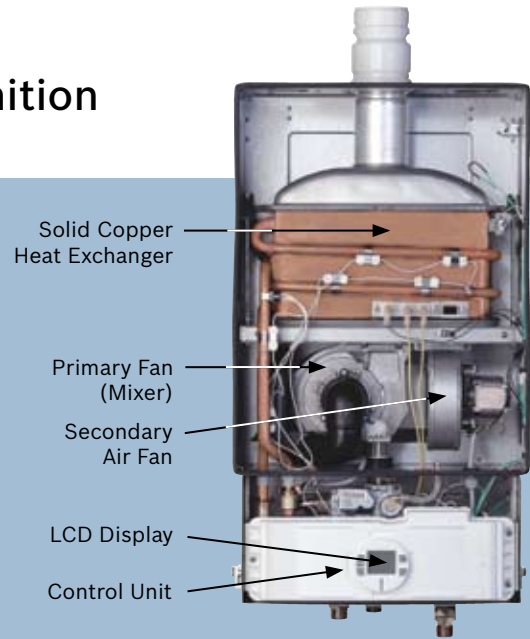
AquaStar 2400ES

Tankless Water Heater with Electronic Ignition

Capable of supplying two major appliances simultaneously

Features

- ▶ Delivers over 6 gallons per minute, enough to run 2 major applications at once
- ▶ Direct vent room-sealed combustion
- ▶ Built-in power vent allows for vertical or horizontal vent termination
- ▶ 12-year warranty on heat exchanger – 2 years on parts
- ▶ Provides endless supply of hot water
- ▶ Saves up to 50% off utility costs
- ▶ Electronic ignition – 120V plug-in (no standing pilot)
- ▶ Space saving size and weighs only 67 pounds
- ▶ Available models for natural gas (NG) or liquid propane (LP)
- ▶ Outdoor installation kit (AQOK) available for approved climates
- ▶ Wireless Remote (TSTAT2) available for quick and easy temperature control



Technical Specifications

Power Input	Natural Gas: 19,900 - 175,000 BTU/Hr LP Gas: 19,900 - 175,000 BTU/Hr
Minimum Flow to Activate	0.65 gallons per minute (gpm)
Flow Rates	45°F rise @ 6.4 gpm 55°F rise @ 5.3 gpm 65°F rise @ 4.6 gpm 77°F rise @ 3.8 gpm 90°F rise @ 3.2 gpm
Energy Factor	.82
Thermal Efficiency	82%
Dimensions	H: 30.5" W: 17.875" D: 11.25"
Weight	67 lbs.
Modulating Gas Valve	Yes
Ignition	Electronic (120V plugs in)
Optional Accessories	Remote Thermostat (TSTAT2) Outdoor Kit (AQOK)

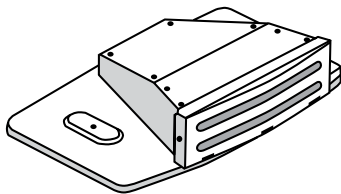
Installation Specifications

Gas Connection	¾" Male NPT
Water Connections	¾" Male NPT
Natural Gas Pressure	Minimum: 4" WC Maximum: 14" WC
Liquid Propane Pressure	Minimum: 9" WC Maximum: 14" WC
Water Pressure	Minimum: 30 PSI Maximum: 150 PSI
Electrical Supply	120V (plugs in)
Exhaust Vent Size	3" (stainless)
Combustion Air Pipe Size	3" PVC/Alum./Galv.
Vent Termination	Horizontal or Vertical

Wireless Remote available for setting or changing water temperature.
(Part # TSTAT2)

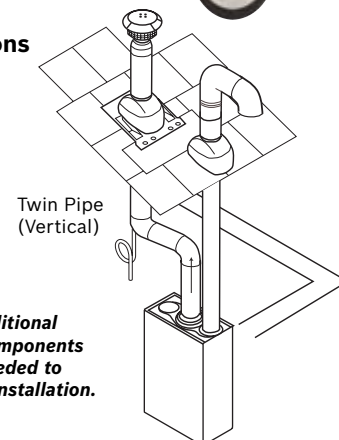
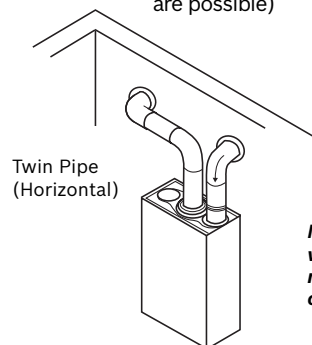


For Outdoor Installation the Outdoor Kit is required (Part # AQOK)



Room-Sealed Indoor Venting Options

(additional venting options are possible)



NOTE: Additional venting components may be needed to complete installation.

Bosch Thermotechnology Corp.
340 Mad River Park
Waitsfield, VT 05673

Telephone: 1-866-642-3199
www.boschhotwater.com