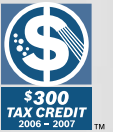


AquaStar 2400EO

Tankless Water Heater with Electronic Ignition
for Outdoor Installation

This Model
Qualifies for
U.S. Federal
Tax Credit



Now you can install your Bosch tankless water heater outside and eliminate the need for costly venting components.

The attractive design of the Bosch AquaStar Model 2400EO will complement any house style and color, while freeing up valuable space in your home. With an efficiency rating of 87%, the ability to supply two showers running simultaneously, and a digital temperature control, you'll be all smiles with your new Bosch AquaStar 2400EO water heater.



BOSCH

Invented for life

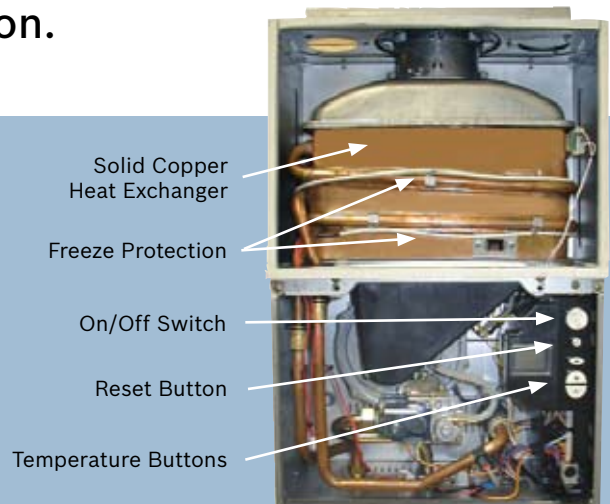
AquaStar 2400EO

Electronic ignition – Outdoor installation.

Endless hot water for 2 major applications at a time.

Features

- Installs outside the home
- Freeze protection to 5° F
- No vent pipe needed
- Delivers over 6 gallons per minute, enough to run two showers at once
- 12-year warranty on heat exchanger – 2 years on parts
- Provides ENDLESS supply of hot water
- Saves up to 50% off utility costs
- Smaller than a suitcase and weighs only 47 pounds
- Electronic ignition – plugs into 120V (no standing pilot)
- Wireless remote thermostat available (part #TSTAT2)



Technical Specifications

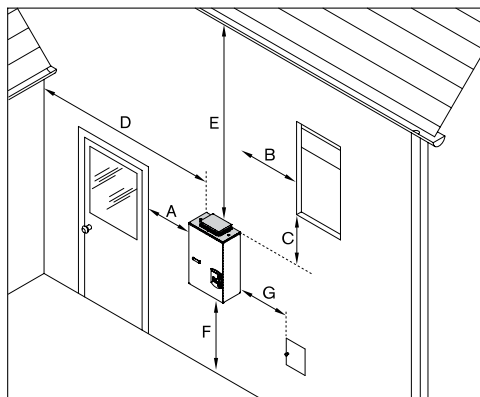
Power Input	Natural Gas: 35,000 - 175,000 Btu LP Gas: 31,000 - 175,000 Btu
Minimum Flow to Activate	0.8 gallons per minute (gpm)
Flow Rates	45° F rise @ 6.4 gpm 55° F rise @ 5.2 gpm 65° F rise @ 4.5 gpm 77° F rise @ 3.7 gpm 90° F rise @ 3.2 gpm
Energy Factor	NG: .85 LP: .86
Thermal Efficiency	NG: 87% LP: 86%
Dimensions	H: 26" W: 15 3/4" D: 8 1/2"
Weight	47 lbs.
Modulating Gas Valve	Yes
Ignition	Electronic
Accessories	Wireless Remote Thermostat (TSTAT2)
Life Expectancy	20+ years

Installation Specifications

Gas Connection	3/4" Male NPT
Water Connections	3/4" Male NPT
Natural Gas Pressure	Minimum: 5" WC Maximum: 14" WC
Liquid Propane Pressure	Minimum: 11" WC Maximum: 14" WC
Water Pressure	Minimum: 30 PSI Maximum: 150 PSI
Electrical Supply	120V (plugs in)



Wireless Remote available for setting/changing water temperature without leaving the house. (Part #TSTAT2)



Ref.	Description	Min. distances
A B C	Directly below or from an opening; operable windows, doors and any fresh air	4 ft.
D	From any adjacent wall or shrubbery	4 ft.
E	Below a gutter, sanitary pipework, eaves or overhang	3 ft.
F	Above ground	1 ft.
G	From a gas meter or gas regulator	3 ft.

BBT NORTH AMERICA CORPORATION
Bosch Group

Bosch Water Heating
340 Mad River Park
Waitsfield, VT 05673

866.642.3199 • www.boschhotwater.com