

AquaStar 1600PS

Tankless Water Heater with Pilot Ignition for Preheated Water Backup.



Bring efficiency to your solar water heating system with the Bosch AquaStar Model 1600PS. This water heater is specifically designed as a backup to preheated water produced by solar-based systems or from woodstoves. Its tankless design saves floor space and will save you money, as it only operates when your preheated water needs a boost in temperature.



BOSCH
Invented for life

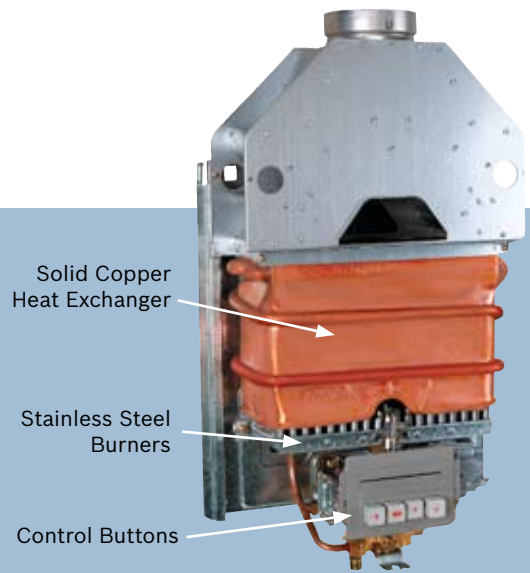
AquaStar 1600PS

Pilot ignition. For solar based systems.

Endless hot water for 1 major application at a time.

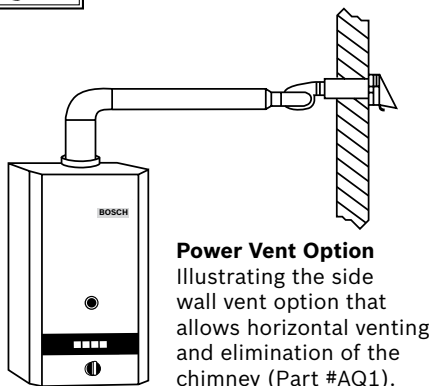
Features

- Delivers up to 4.3 gallons per minute
- Standing pilot
- 12-year warranty on heat exchanger – 2 years on parts
- Provides ENDLESS supply of hot water
- Saves up to 50% off utility costs
- Compact and lightweight
- Can simply hang on the wall
- Modulating gas valve to control temperature
- Pressure relief valve included
- CSA approved



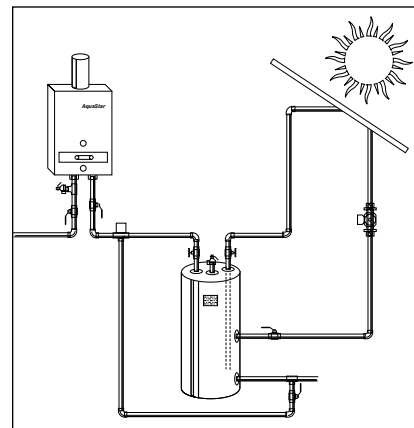
Technical Specifications

Power Input	Natural Gas: 23,400 - 117,000 Btu LP Gas: 23,400 - 117,000 Btu
Minimum Flow to Activate	0.5 gallons per minute (gpm)
Flow Rates	45°F rise @ 4.3 gpm 55°F rise @ 3.4 gpm 65°F rise @ 2.9 gpm 77°F rise @ 2.4 gpm 90°F rise @ 2.1 gpm
Energy Factor	NG: .69 LP: .79
Thermal Efficiency	NG: 80% LP: 86%
Dimensions	H: 29 3/4" W: 18 1/4" D: 8 3/4"
Weight	42 lbs.
Modulating Gas Valve	Yes
Ignition	Standing Pilot
Accessories	Power vent for horizontal venting (AQ1)



Installation Specifications

Gas Connection	1/2" Male NPT
Water Connections	1/2" Male NPT
Natural Gas Pressure	Minimum: 7" WC Maximum: 14" WC
Liquid Propane Pressure	Minimum: 11" WC Maximum: 14" WC
Water Pressure	Minimum: 30 PSI Maximum: 150 PSI
Electrical Supply	None
Vent Size	5" (double-wall type B)
Vent Termination	Vertical



This system design demonstrates how to install a Bosch AquaStar 1600PS as part of a solar-based water heating system. Check your local codes to determine if you need a tempering valve.

BBT NORTH AMERICA CORPORATION
Bosch Group

Bosch Water Heating
340 Mad River Park
Waitsfield, VT 05673

866.642.3199 • www.boschhotwater.com